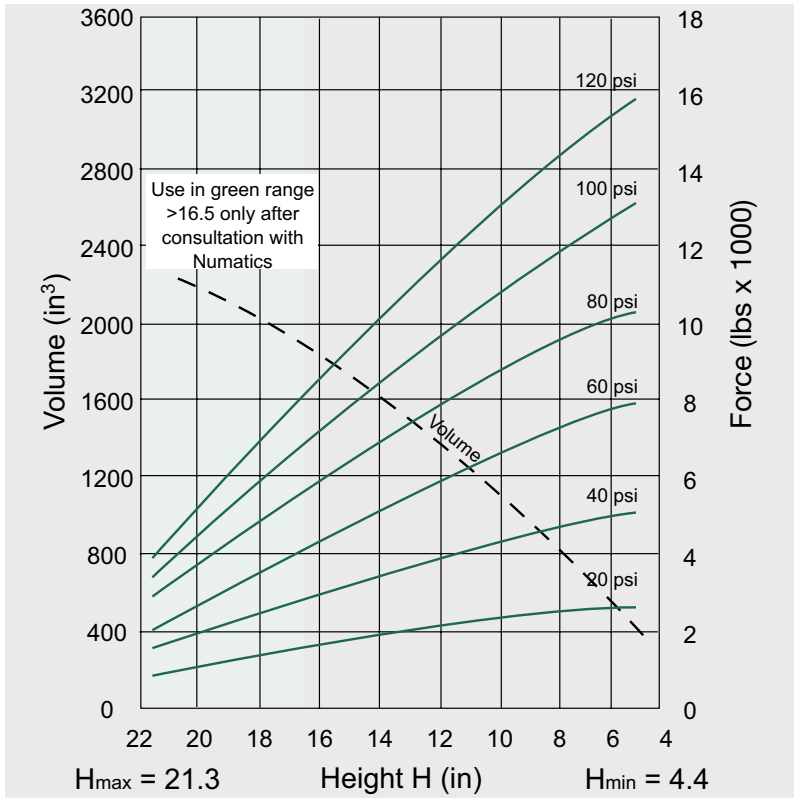


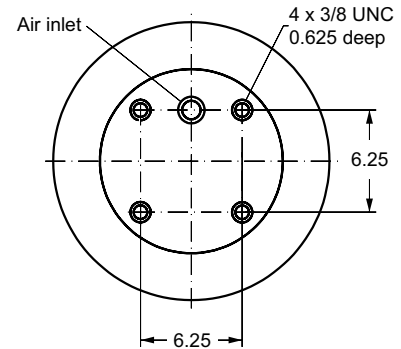
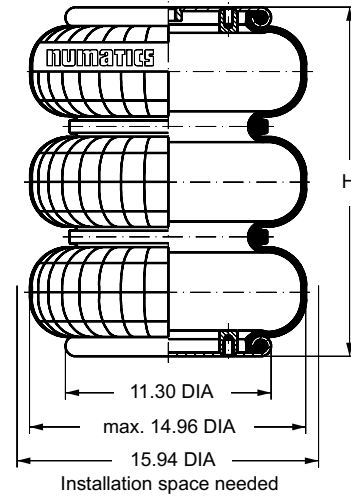


Numatics Triple Convoluted Air Bellows

ASNT82-12-1



Force-Height Diagram



TECHNICAL DATA

Min. Pressure	0 PSI
Return Force to Min. Height	≤ 90 lbs
Overall Weight with Clamped Plates	21 lbs

Pneumatic Application – Static Characteristic Values

Force F (lbs)	Pressure p (psi)	20	40	60	80	100	120	Vol (in ³)
1803	16	1450	2900	4360	5810	7260	8710	1803
1588	14	1720	3450	5170	6900	8620	10,350	1588
1354	12	1970	3940	5910	7890	9860	11,830	1354
1140	10	2170	4350	6520	8700	10,870	13,050	1140
887	8	2370	4740	7120	9490	11,860	14,230	887
610	6	2520	5030	7550	10,060	12,580	15,100	610

ORDER DATA

Type	Model Number
With Clamped Plates	
3/4 NPTF Air Inlet	ASNT82-12-1
3.12 inch excentral	
1/4 NPTF Air Inlet	ASNT82-12-1-2

Installation Instruction – Torque rating
 Mounting Holes 3/8" = 15-20 lb-ft
 Air Inlet 1/4" NPTF = 12-15 lb-ft
 Air Inlet 3/4" NPTF = 40-50 lb-ft