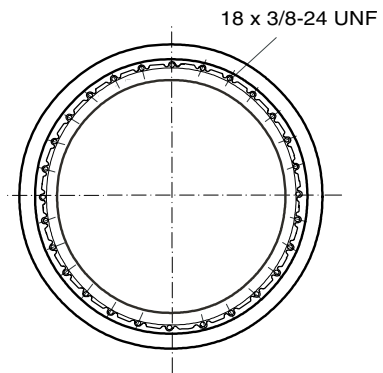
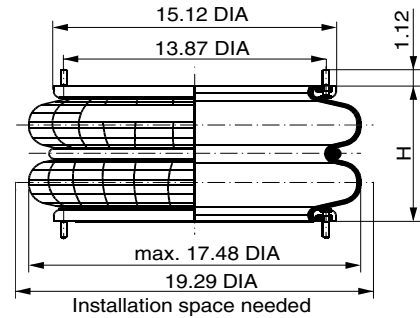
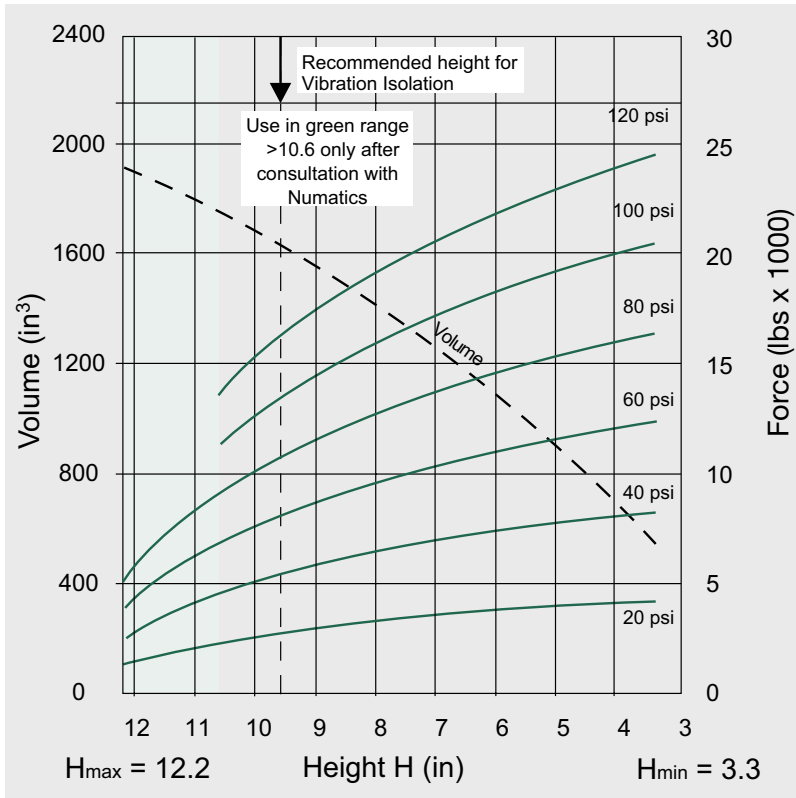




Numatics Double Convoluted Air Bellows

ASND154-8-1



Force-Height Diagram

TECHNICAL DATA

Min. Pressure	0 PSI
Return Force to Min. Height	≤ 45 lbs
Overall Weight with Clamped Plates	19 lbs

Vibration Isolation – Dynamic Characteristic Values

Design Height H: Recommended 9.5 Inch, Minimum 8.7 Inch						
Pressure p (psi)	40	60	80	100	120	Vol (in ³)
Force (Load) (lbs)	5450	8180	10900	13630	16350	
Spring Rate (lbs/in)	1638	2303	3005	3633	4317	1655
Natural Frequency (Hz)	1.7	1.7	1.6	1.6	1.6	

Pneumatic Application – Static Characteristic Values

Force F (lbs)							
Pressure p (psi)	20	40	60	80	100	120	Vol (in ³)
Height H (in)	10	2520	5040	7560	10080	12600	15130
	9	2890	5790	8680	11580	14470	17370
	8	3190	6380	9560	12750	15940	19130
	7	3420	6840	10260	13680	17100	20520
	6	3630	7260	10890	14510	18140	21770
	5	3800	7610	11410	15220	19020	22830
	4	3990	7980	11970	15960	19950	23940

ORDER DATA

Type	Model Number
Bellow with bead rings, 1 7/8 bolts, nuts and washers	ASND154-8-1

Additional types on request

Installation Instruction - Torque rating
Mounting holes - 3/8" = 28-32 lb-ft