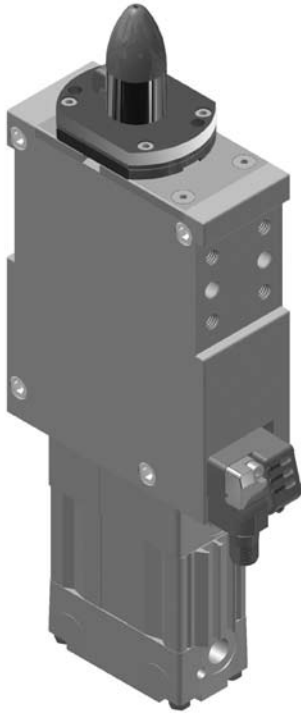




LSP Series Pneumatic Pin Clamp



Features

- Designed to both locate and clamp material
- Multiple pin sizes available
- Different working heights available
- Unique system prevents weld slag from entering unit
- Hardened pins, hooks and scrapers for extended life
- Orthogonal version for applications with very demanding dimensional limitations
- Remains locked in closed position even when air pressure is removed
- Pneumatic ports on both sides of the cylinder
- Unique “programmable” all metal sensor with M12 swivel connector

General Specifications

Weight:

LSP50G: 3.2 Kg (7.1 lbs)

LSP50U: 2.2 Kg (4.9 lbs)

Operating Pressure:

Minimum: 2.75 Bar (40 PSI)

Maximum: 8 Bar (115 PSI)

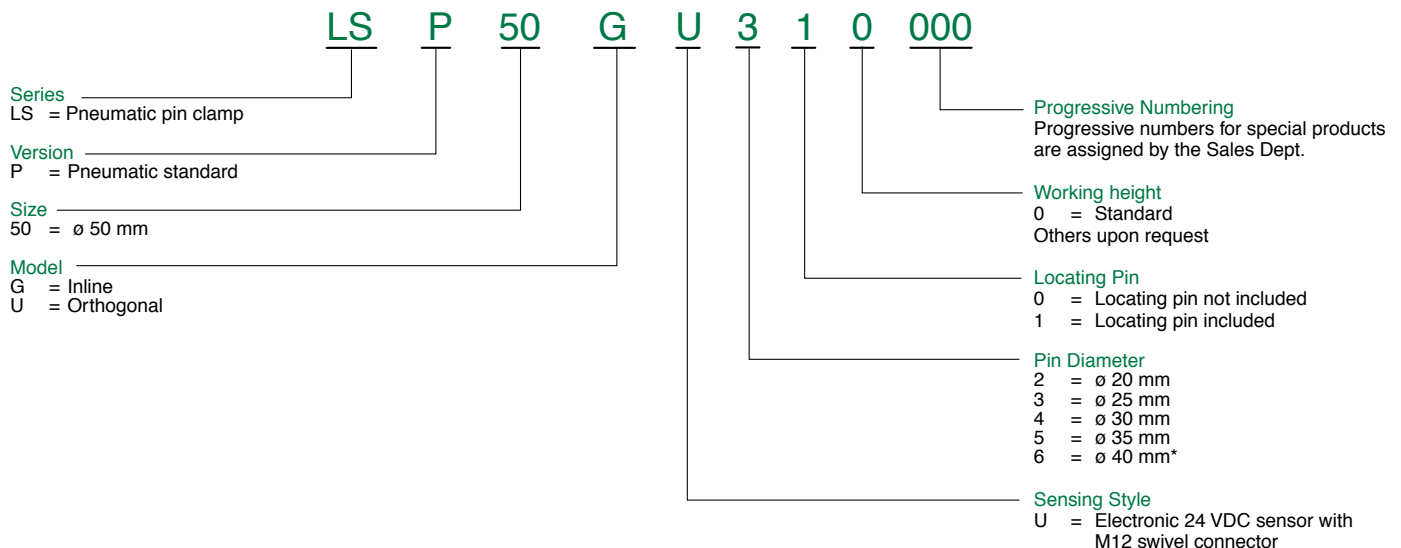
Operating Temperature: 5° to 45° C (40° to 113°F)

Class Protection: IP54

Maximum Clamping Force

Model Number	4 Bar (58 PSI)	5 Bar (72 PSI)
LSP50G	2850 N (640 lbs)	3500 (786 lbs)
LSP50U	3250 N (730 lbs)	4000 N (899 lbs)

How to Order



*Not available on orthogonal version

